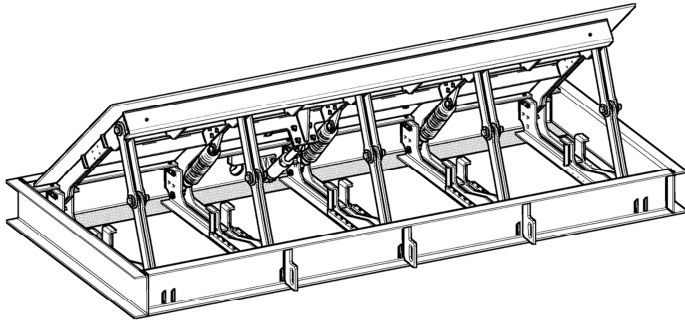
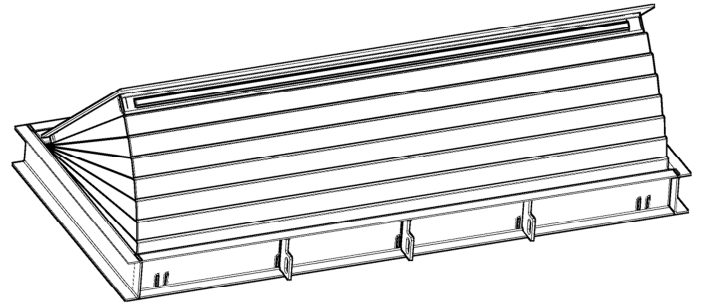

Technical Data Sheet

Wedge II standard configuration



Wedge II with optional safety skirt and LED-strip lightening



Design:	Wedge with electro-hydraulic drive in separate drive cabinet. Optional: Wedge fitted with safety skirt
Impact Energy:	1852 kJ (7.5 t @ 80 km/h) Certified according to PAS 68:2013 V/7500[N3]/80/90:0.0/20.7, IWA 14-1:2013 V/7200[N3C]/80/90:0.0 and ASTM F2656/F2656M-15 M50/P1
Blocking Width:	2.0 m, 2.5 m, 3.0 m, 3.5 m and 4.0 m
Blocking Height:	1000 mm
Base frame:	L x W x H: (blocking width + 200 mm) x 1950 mm x 300 mm
Drive Cabinet:	H x W x D: 1400 mm x 1200 mm x 400 mm incl. 200 mm high base
Emergency Operation:	Via hand pump (standard) Accumulator incl. rechargeable batteries for 3 movements (RO3) (optional)
Operating Times:	Raising: approx. 3.5 sec, lowering: approx. 3.5 sec (standard) Emergency fast operation (EFO): approx. 1 sec (with optional accumulator)
Wheel Load:	100 kN according to SLW60 – DIN 1072
Drive:	4.0 kW, 400 V (three-phase), 50 Hz
Hydraulic Fluid:	Mineral oil HLP 22 or biodegradable oil Plantohyd 22 S, non-hazardous to water
Control Unit:	PLC in control box installed in drive cabinet (standard), PLC in separate control box for wall mounting inside a building (optional), control voltage 24 V
Supply Voltage:	400 V (3Ph + N + PE), 50 Hz
Control Box:	Control unit configuration STANDARD: HxWxD = 400x400x200 mm, IP 66 Control unit configuration VARIO BASIC: HxWxD = 600x400x200 mm, IP 66 Control unit configuration VARIO EFO: HxWxD = 600x400x200 mm, IP 66 Control unit configuration VARIO RO3: HxWxD = 800x400x300 mm, IP 66
Weight:	Approx. 1500 – 2000 (wedge) Approx. 280 – 400 kg (drive cabinet)
Lightening (Optional):	LED-strip lighting and front cover fitted to impact beam

Technical Data Sheet

Colour (Standard):	Blocking element	RAL 7030 stone grey
	Base frame	RAL 7030 stone grey
	Cover plate	RAL 7030 stone grey
	Scissor joints	RAL 3000 flame red
	Hydraulic cylinder	RAL 3000 flame red
	Drive cabinet	RAL 7035 light grey
	Optional safety skirt	RAL 3000 flame red
Colour (Optional):	Cover plate	V-striped RAL 1007 daffodil yellow / RAL 9005 jet black, V-striped RAL 3000 flame red / RAL 9010 pure white
	Optional safety skirt	cross striped RAL 1007 daffodil yellow / RAL 9005 jet black cross striped RAL 3000 flame red / RAL 9010 pure white or other RAL colours or DB colours
	Scissor joints, hydraulic cylinder, blocking element and base frame:	other RAL colours
Temperature Range:	-20°C – 60°C	